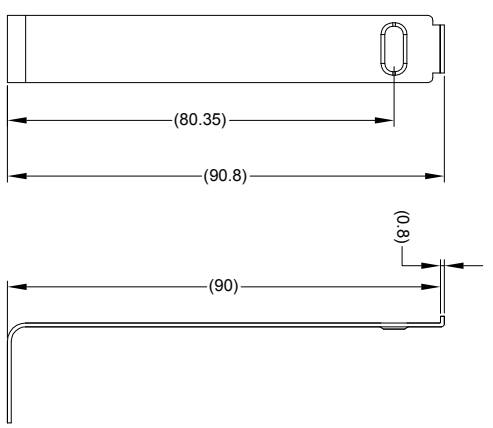
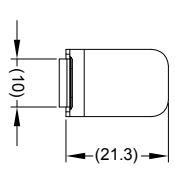
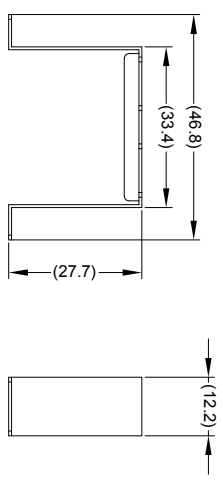
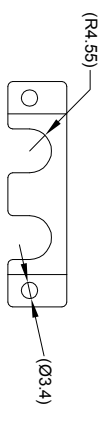
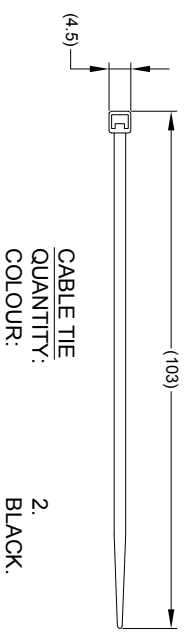


Revision Notes:			
1. DIMENSIONS UPDATED.			
Checked By: MB	Approved By: DK	Date Released: 12/03/12	



CABLE BRACKET
 QUANTITY: 2.
 MATERIAL: STAINLESS STEEL.
 FINISH: BLACK SPRAY.

SCREW
 QUANTITY: 12.
 TYPE: T2.3x6L.
 FINISH: ZINC.



CABLE TIE
 QUANTITY: 2.
 COLOUR: BLACK.

EJECTION KEY
 QUANTITY: 2.
 MATERIAL: SECC.
 FINISH: RAW MATERIAL...

- NOTES:
1. TO BE SUPPLIED IN CLEAR PLASTIC BAG.
 2. ALL SHARP EDGES AND BURS TO BE REMOVED.

PROPRIETARY NOTICE
 THIS DESIGN AND TECHNICAL INFORMATION APPEARING ON THIS DRAWING IS THE PROPERTY OF BRIGADE ELECTRONICS, AND IS DISCLOSED IN CONFIDENCE. IT IS NOT TO BE COPIED, REPRODUCED, REVEALED TO OR APPROPRIATED BY OTHERS, EITHER IN WHOLE OR IN PART WITHOUT THE EXPRESS WRITTEN CONSENT OF BRIGADE ELECTRONICS.



Assembly PI Approval HCHOI - 12/03/12		Approved by DKERAL		Checked by MBUTLER		Drawn by JNEWMAN	
Angle of Projection Third Angle		Units mm	Scale N/A	Released 12/03/12	Assembly Ref 4AC153		
Status RELEASED		Stock Code 3940		BE-865DDM-FIX		BE-001738-01-11	